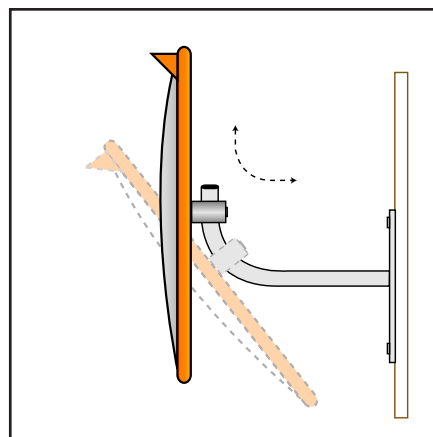
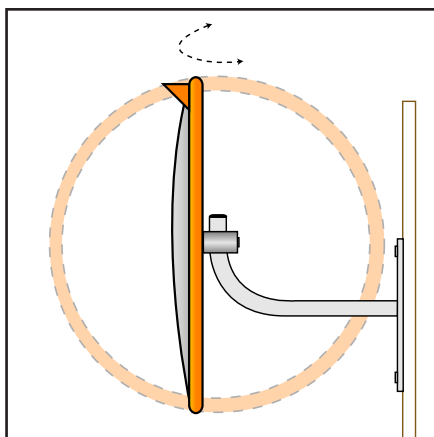
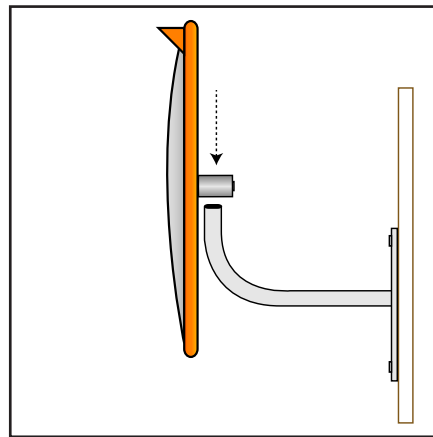
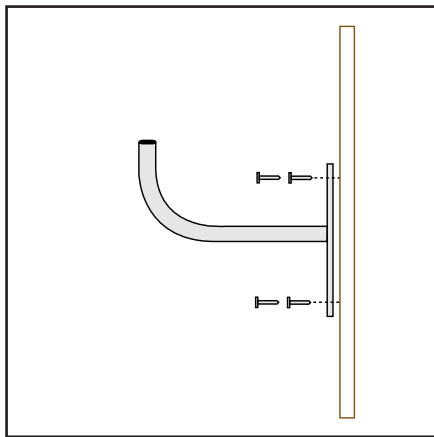


ACRYLIC TRAFFIC MIRROR INSTALLATION GUIDE

Wall Mounting:

1. Decide the appropriate place to site the mirror to give maximum vision.
2. Fix J-Bracket to wall or ceiling using suitable fixing hardware (ie: screws, bolts). Allowing enough room to get the mirror on to the J-Bracket.
3. Peel protective film off around the immediate edge of the mirror.
4. Slide the adaptor and mirror over the J-Bracket and adjust mirror to the desired position.
5. Tighten the Grub Screw in the adaptor securely with the supplied Allen Key.
6. When the mirror is securely in position, totally remove the protective film from the mirror.

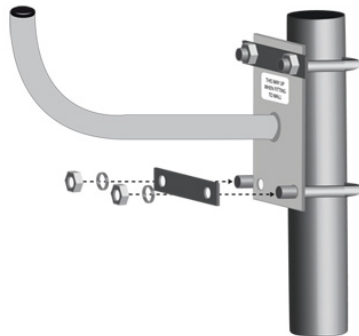
(See next page for Pole Mounting)



ACRYLIC TRAFFIC MIRROR INSTALLATION GUIDE

Pole Mounting:

1. Choose a 75mm Round pole to attach the U-Bolts to.
2. Thread the U-Bolts through one side of the J-Bracket and then through both sides of the U-Bolt Flat Plate.
3. Thread the Washer and Nut onto the U-Bolts and tighten.
4. Slide the adaptor and mirror over the J-Bracket and adjust mirror to the desired position.
5. Tighten the Grub Screw in the adaptor securely with the supplied Allen Key.
6. When the mirror is securely in position, totally remove the protective film from the mirror.



U-Bolt threads through ONE SIDE of the J-Bracket

