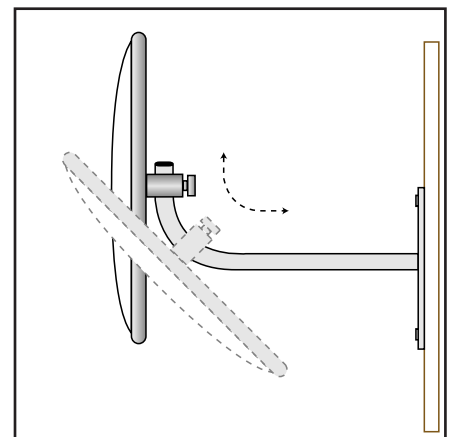
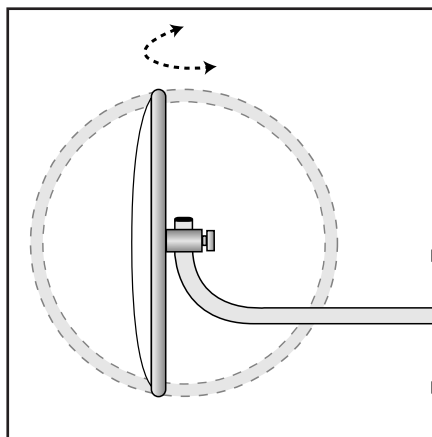
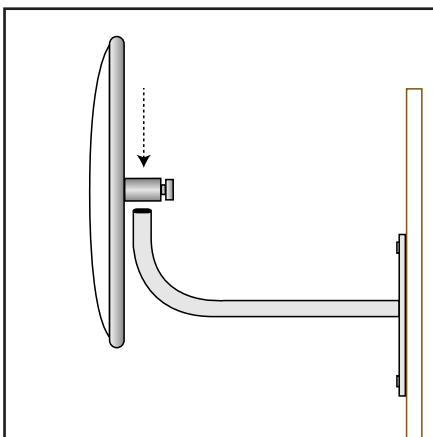
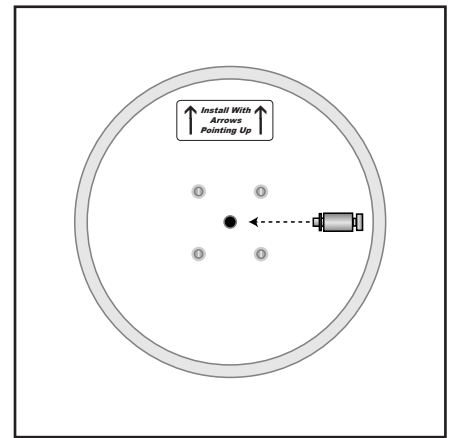
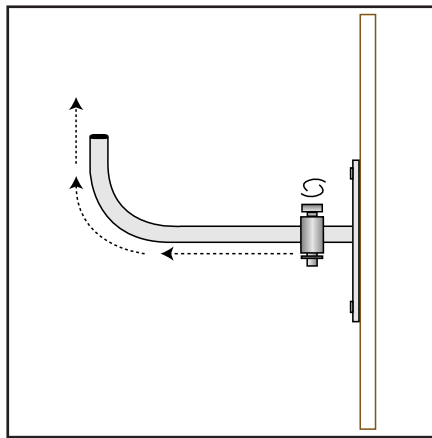
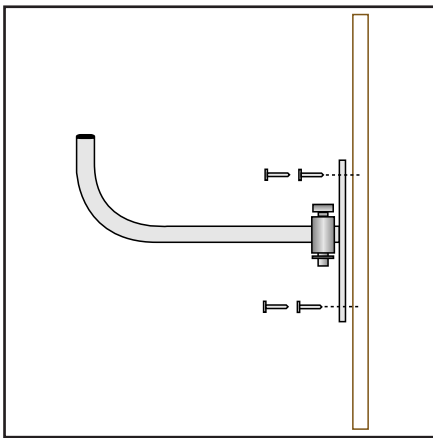


OUTDOOR ACRYLIC MIRROR INSTALLATION GUIDE

1. Decide the appropriate place to site the mirror to give maximum vision.
2. Fix J-Bracket to wall or ceiling using suitable mounting hardware (ie: screws, bolts). Allowing enough room to slide the mirror on to the J-Bracket.
3. Unscrew the adaptor from the J-Bracket. Thread the adaptor into the back of the mirror.
4. Peel protective film off around the immediate edge of the mirror.
5. Slide the adaptor and mirror over the J-Bracket and adjust mirror to the desired position.
Note: For outdoor installation - make sure the arrows on the back are pointing UP. This will allow the vent hole in the bottom of the mirror to drain any moisture.
6. Tighten the locking bolt on the adaptor securely.
7. When the mirror is securely in position, totally remove the protective film from the mirror.





OPTIONAL U-BOLT KIT INSTALLATION GUIDE

- 450mm and 600mm Mirror Size:** Hold the U-Bolts around the pole. Thread the U-Bolts **around** the J-Bracket and through the U-Bolt Flat plate.
900mm Mirror Size: Hold the U-Bolts around the pole. Thread the U-Bolts **through one side** of the J-Bracket and through the U-Bolt Flat plate.
- Thread the washers and nuts onto the U-Bolt and tighten.
- Unscrew the adaptor from the J-Bracket. Thread the adaptor into the back of the mirror.
- Peel protective film off around the immediate edge of the mirror.
- Slide the adaptor and mirror over the J-Bracket and adjust the mirror to the desired position.
Note: make sure the arrows on the back are pointing UP. This will allow the vent hole in the bottom of the mirror to drain any moisture.
- Tighten the locking bolt on the adaptor securely.
- When the mirror is securely in position, totally remove the protective film from the mirror.
(Note: U-Bolt Kits are not supplied with this model. Purchase separately.)

