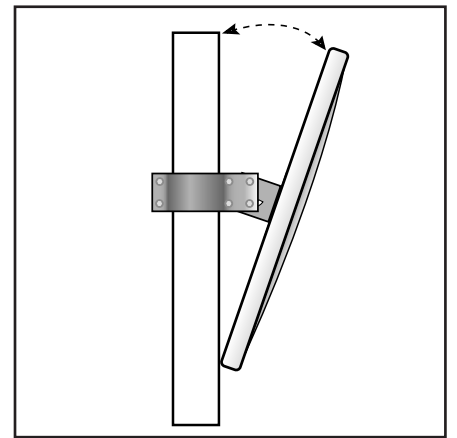
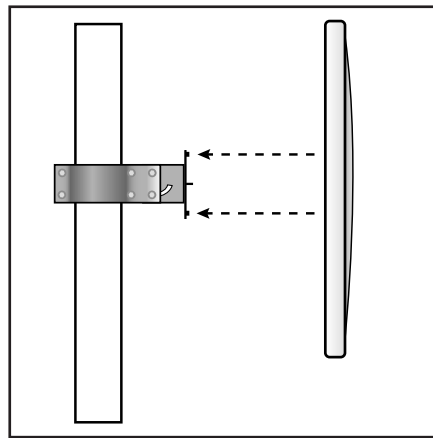
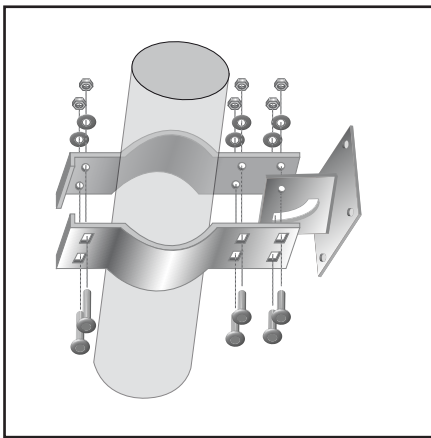


OUTDOOR HIGH VISIBILITY MIRROR INSTALLATION GUIDE

1. Decide the appropriate place to site the mirror on 75mm pole.
2. Fix clamp and mirror mount assembly to the pole.
3. Make sure adjustment slot is to the bottom
4. Fix the mirror to the clamp bracket.
5. Once the desired position has been found, tighten the bolts and nuts.
6. When installation is complete, remove protective film from the face.

(see next page for optional Wall Mounting Accessory)



OPTIONAL WALL MOUNTING ACCESSORY INSTALLATION GUIDE

1. Decide the appropriate place to site the mirror (on a flat surface) and fix the Wall Adaptor using suitable hardware. (Wall Mounting Accessory not included, purchase separately).
2. Fix the clamp and mirror mount assembly to the Wall Adaptor making sure the slot is to the bottom.
3. Fix the mirror face to the clamp bracket.
4. Once the desired position has been found, tighten the bolts and nuts.
5. Totally remove the protective film from the mirror.

