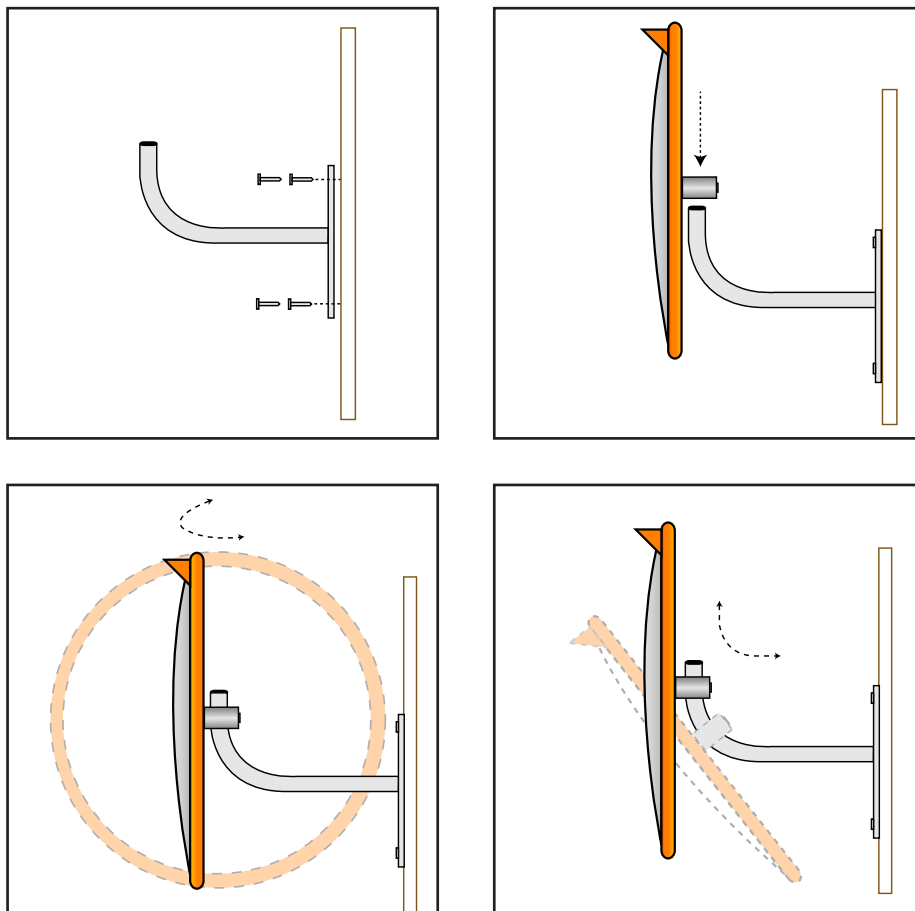


## STAINLESS STEEL ANTI-VANDAL MIRROR INSTALLATION GUIDE

### Wall Mounting:

1. Decide the appropriate place to site the mirror to give maximum vision.
2. Fix J-Bracket to wall or ceiling using suitable fixing hardware (ie: screws, bolts). Allowing enough room to get the mirror on to the J-Bracket.
3. Slide the adaptor and mirror over the J-Bracket and adjust mirror to the desired position.
4. Tighten the Grub Screw in the adaptor securely with the supplied Allen Key.

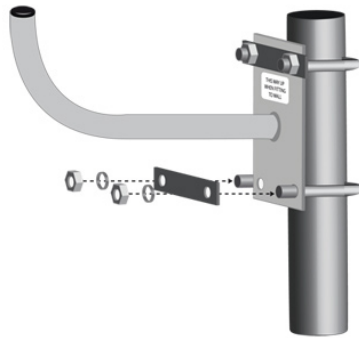
(See next page for Pole Mounting)



## STAINLESS STEEL ANTI-VANDAL MIRROR INSTALLATION GUIDE

### Pole Mounting:

1. Choose a 75mm Round pole to attach the U-Bolts to.
2. Thread the U-Bolts through one side of the J-Bracket and then through both sides of the U-Bolt Flat Plate.
3. Thread the Washer and Nut onto the U-Bolts and tighten.
4. Slide the adaptor and mirror over the J-Bracket and adjust mirror to the desired position.
5. Tighten the Grub Screw in the adaptor securely with the supplied Allen Key.



U-Bolt threads through ONE SIDE of the J-Bracket

